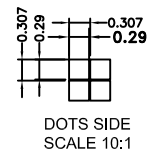
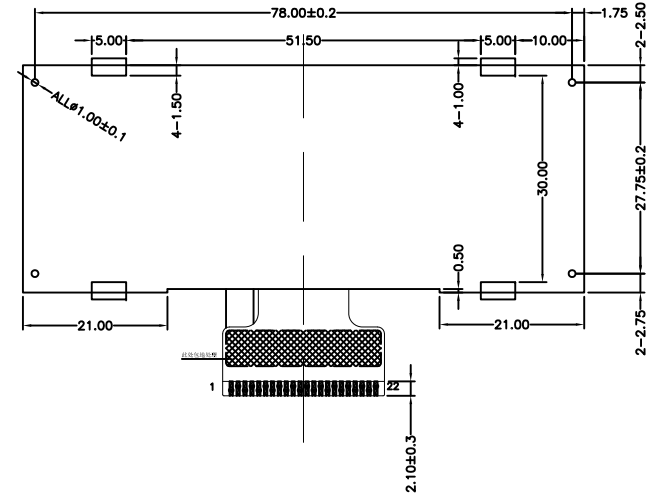
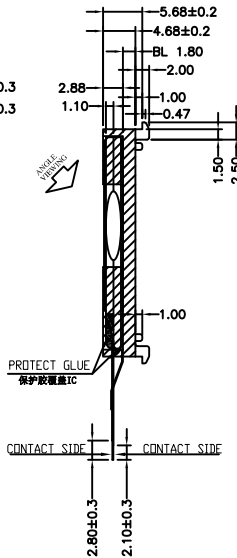
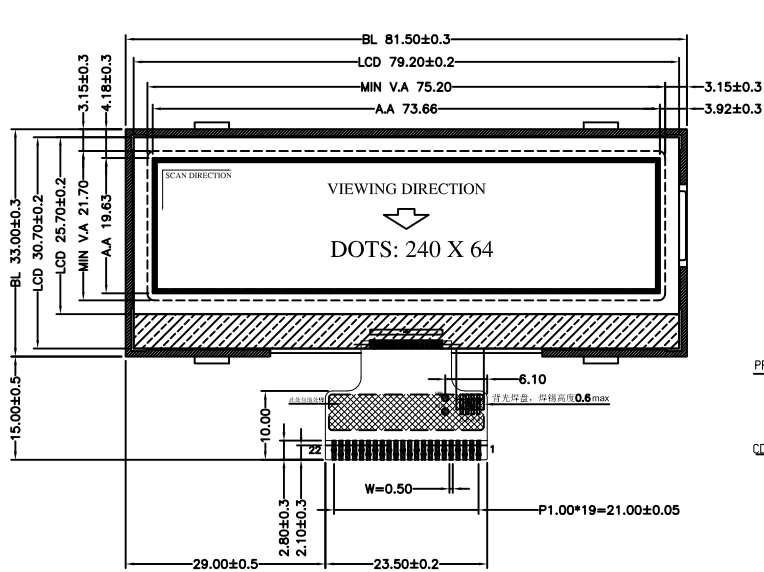
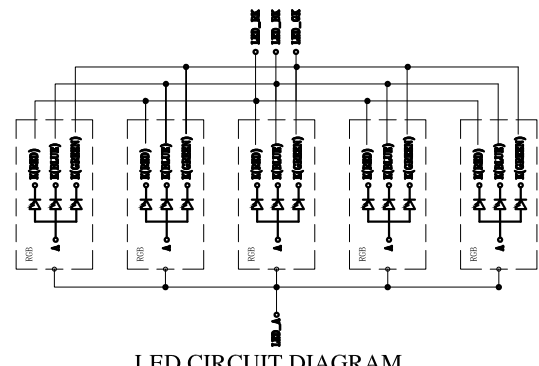


REV:	DESCRIPTION	BY	DATE
V1.0	New issue	SD-05	2017-10-12



Red: 2.0±0.2V, 50mA;
Green: 2.9±0.2V, 75mA;
Blue: 2.9±0.2V, 75mA.



PIN	SYMBOL
1	LED_A
2	LED_RK
3	LED_BK
4	LED_GK
5	ESD-GND
6	GND
7	SDA
8	SCL
9	RESET
10	A0
11	CS
12	COMSCN
13	GND
14	VDD
15	VDD
16	CAP1N
17	CAP1P
18	XV0
19	V0
20	VG
21	GND
22	ESD-GND

- NOTES :
- LCD TYPE: FSTN, Positive Transmissive
 - OPERATING VOLTAGE: VDD=3.0V, Vop=8.0V
 - VIEWING DIRECTION: 12 O'CLOCK
 - DRIVE METHOD: 1/65 Duty, 1/9 Bias
 - OPERATING TEMP: -20°C TO +70°C
 - STORAGE TEMP: -30°C TO +80°C
 - CONNECTOR TAPE: COG+FPC
 - DRIVER IC: ST75256-G2
 - BACKLIGHT: 5 pcs RGB LEDs
 - ALL sub-parts and materials of the parts, must comply with the RoHS instructions of EU.

SINDA DISPLAY TECHNOLOGY CO., LTD.				
SHEET: 1 of 1		MODEL NUMBER : SDGG24064-01	VERSION: 1.0	UNITS: MM
APPROVALS	DATE	GENERAL TOL: ± 0.2		
DWN	SD-05	DO NOT SCALE THIS DRAWING.		
CHK				
APP	SD-11	www.sindadisplay.com		SCALE: 1:1