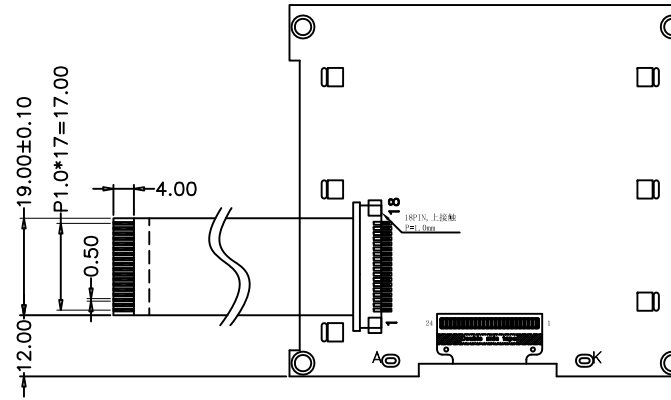
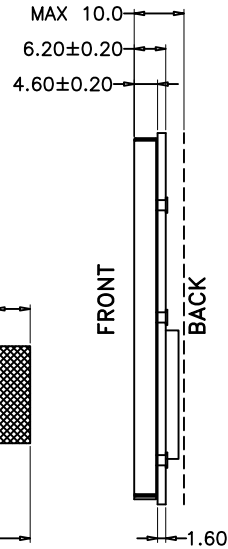
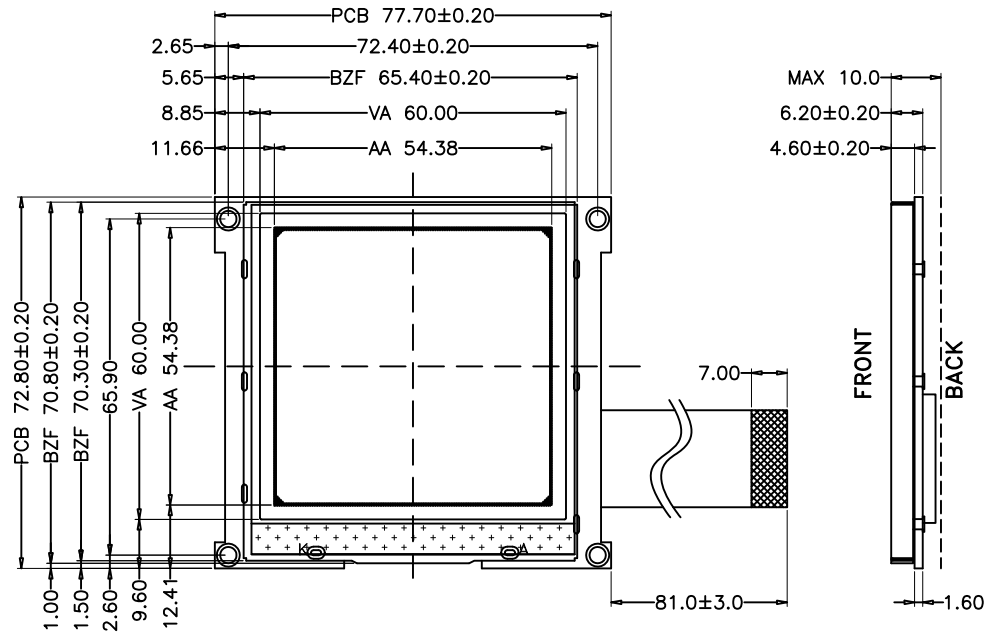
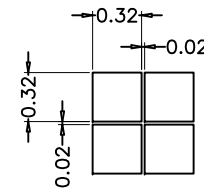
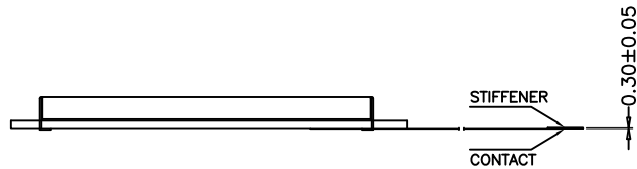


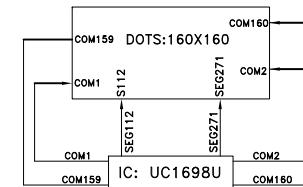
REV:	DESCRIPTION	BY	DATE
V1.0	New issue	SD-05	2017-10-12



PIN	SYMBOL
1	VSS
2	A0
3	WR
4	RD
5	XCS
6	RST
7	VDD(3.3V)
8	D0
9	D1
10	D2
11	D3
12	D4
13	D5
14	D6
15	D7
16	K
17	NC
18	A(3.3V)



SCALE:30:1



COM & SEG LAYOUT

Specifications:

1. Display Mode: FSTN/Black-White/Transflective/Positive.
2. Viewing Angle: 6 0'clock.
3. Drive Method: 1/160Duty 1/10Bias, Vop=16.5V, Vdd=3.3V.
4. Top: -20°C~+70°C, Tst: -30°C~+80°C.
5. Connector: COG+FPC.
6. Backlight: 1*5 PCS WHITE LED Side Backlight; If<100mA & Vf=3.0±0.1V. X=0.260~0.32, Y=0.260~0.32. Luminance: >70cd/m2(Backlight Surface).Uniformity: >75%.
7. Drive IC: UC1698U
8. RoHS Compliant: Yes.
9. With " * " Mark Dimensions Are Important Dimensions.

		SINDA DISPLAY TECHNOLOGY CO., LTD.	
SHEET: 1 of 1		MODEL NUMBER :	VERSION: 1.0
APPROVALS		DATE	UNITS: MM
DWN	SD-05	2017-10-12	DO NOT SCALE THIS DRAWING.
CHK			
APP	SD-11	2017-10-12	SCALE: 1:1
www.sindadisplay.com			