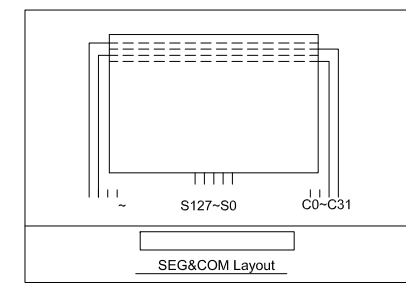
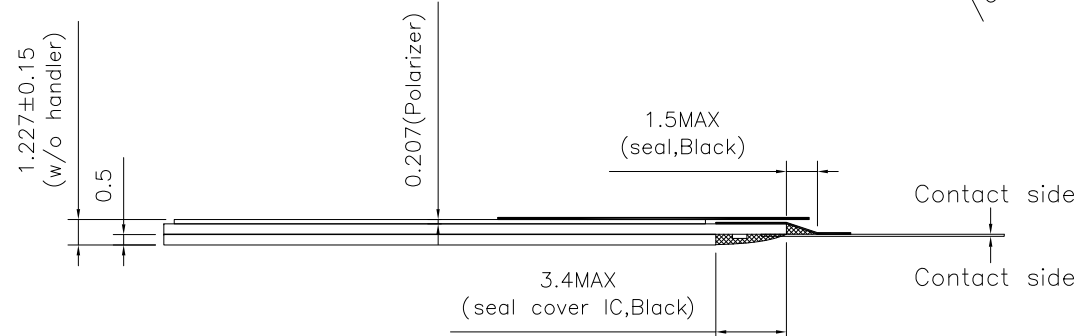
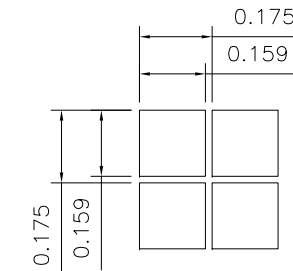
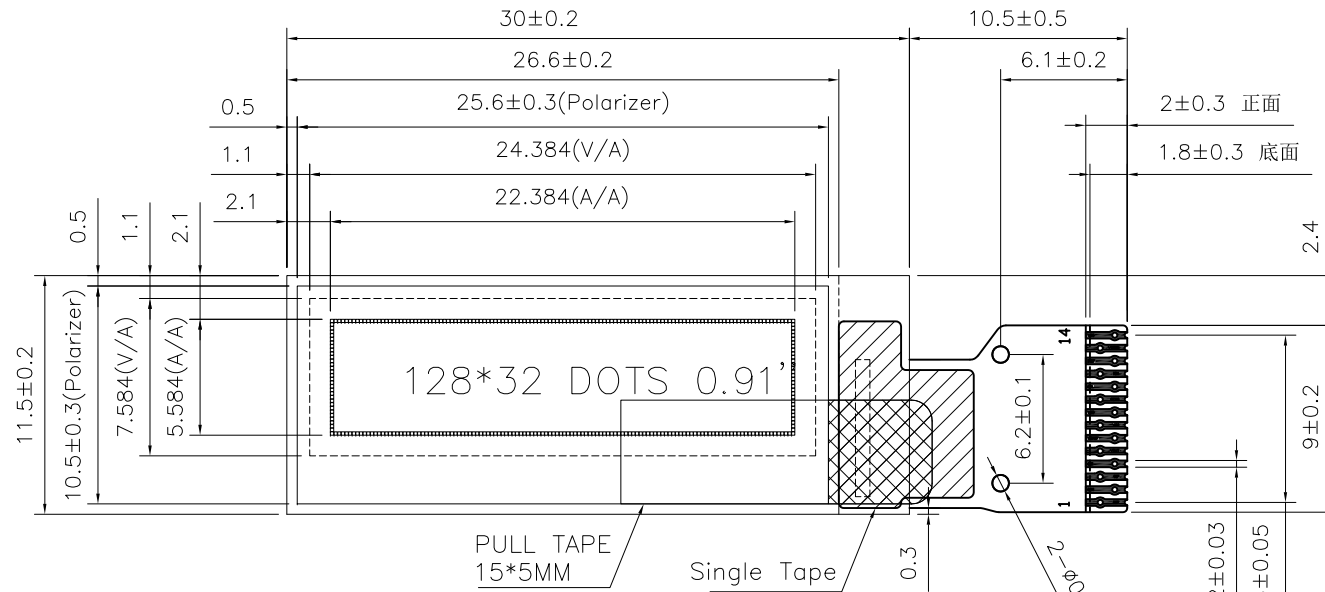


REV:	DESCRIPTION	BY	DATE
V1.0	New issue	SD-02	2014-03-31



PIN	SYMBOL
1	C2P
2	C2N
3	C1P
4	C1N
5	VBAT
6	VBREF
7	VSS
8	VDD
9	RES#
10	SCL
11	SDA
12	IREF
13	VCOMH
14	VCC

- Specifications:
1. Display : OLED(White).
 2. Dot Matrix: 128*32
 3. Dot Size: 0.159*0.159mm
 4. Dot Pitch: 0.175*0.175mm
 5. Aperture Rate: 82.5%
 6. Active Area : 22.384*5.584mm
 7. Drive IC: SSD1306BZ
 8. With " * " Mark Dimensions Are Important Dimensions.

		SINDA DISPLAY TECHNOLOGY CO., LTD.	
SHEET: 1 of 1		MODEL NUMBER : SDO12832-01	VERSION: 1.0
APPROVALS	DATE	UNITS: MM	
DWN	SD-02	GENERAL TOL: ± 0.2	
CHK		DO NOT SCALE THIS DRAWING.	
APP	SD-11	SCALE: 1:1	
		www.sindadisplay.com	