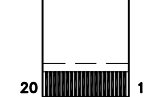
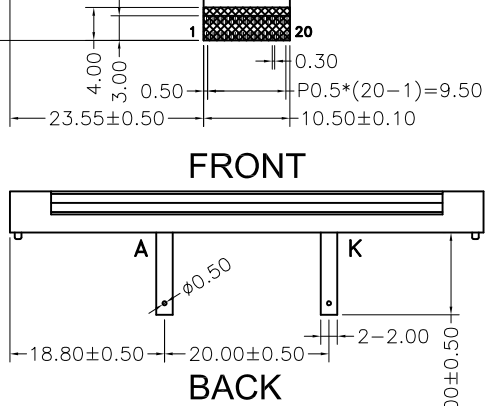
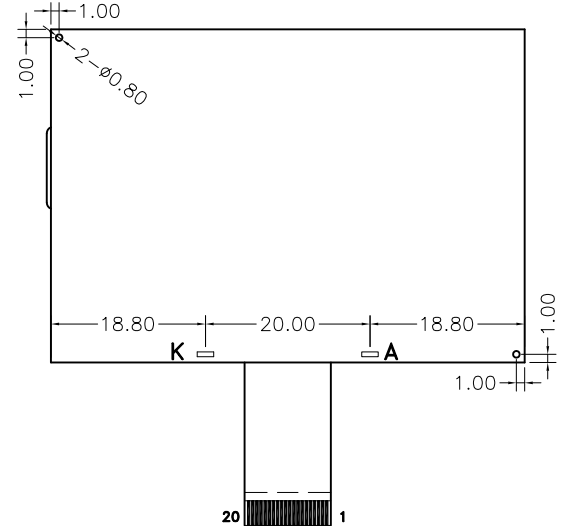
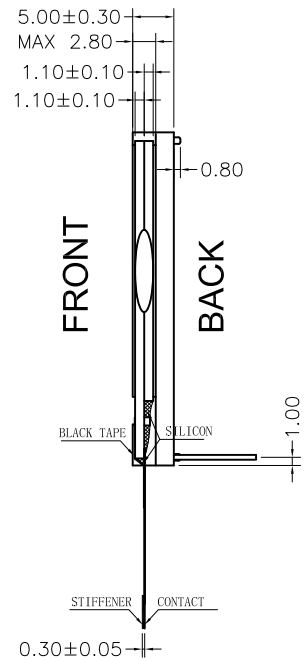
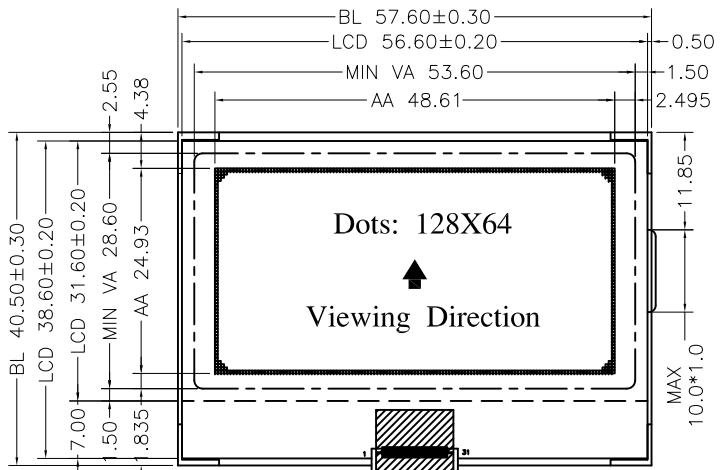
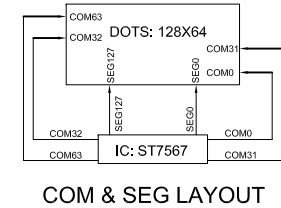
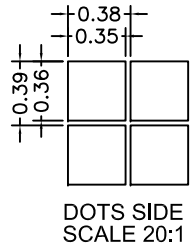


REV:	DESCRIPTION	BY	DATE
V1.0	New issue	SD-02	2019-04-08



PIN	SYMBOL
1	/CS1
2	/RES
3	A0
4	/WR
5	/RD
6	D0
7	D1
8	D2
9	D3
10	D4
11	D5
12	D6
13	D7
14	VSS
15	V0
16	XV0
17	VG
18	C86
19	NC
20	VDD



- NOTES :
- LCD TYPE: FSTN Negative Transflective
  - OPERATING VOLTAGE: Vop=3.0V, VLCD=9.0V
  - VIEWING DIRECTION: 6 O'CLOCK
  - DRIVE METHOD: 1/64 Duty, 1/9Bias
  - OPERATING TEMP: -20°C TO +70°C
  - STORAGE TEMP: -30°C TO +80°C
  - CONNECTOR TAPE: FPC(COG)
  - DRIVER IC: ST7567
  - BACKLIGHT: White side LED, V=3.1±0.2v
  - ALL sub-parts and materials of the parts, must comply with the RoHS instructions of EU.

<b>SINDA DISPLAY TECHNOLOGY CO., LTD.</b>				
SHEET: 1 of 1		MODEL NUMBER : <b>SDGG12864-78</b>	VERSION: 1.0	UNITS: MM
APPROVALS	DATE	GENERAL TOL: ± 0.2		
DWN	SD-02	DO NOT SCALE THIS DRAWING.		
CHK				
APP	SD-11			
		www.sindadisplay.com		SCALE: 1:1