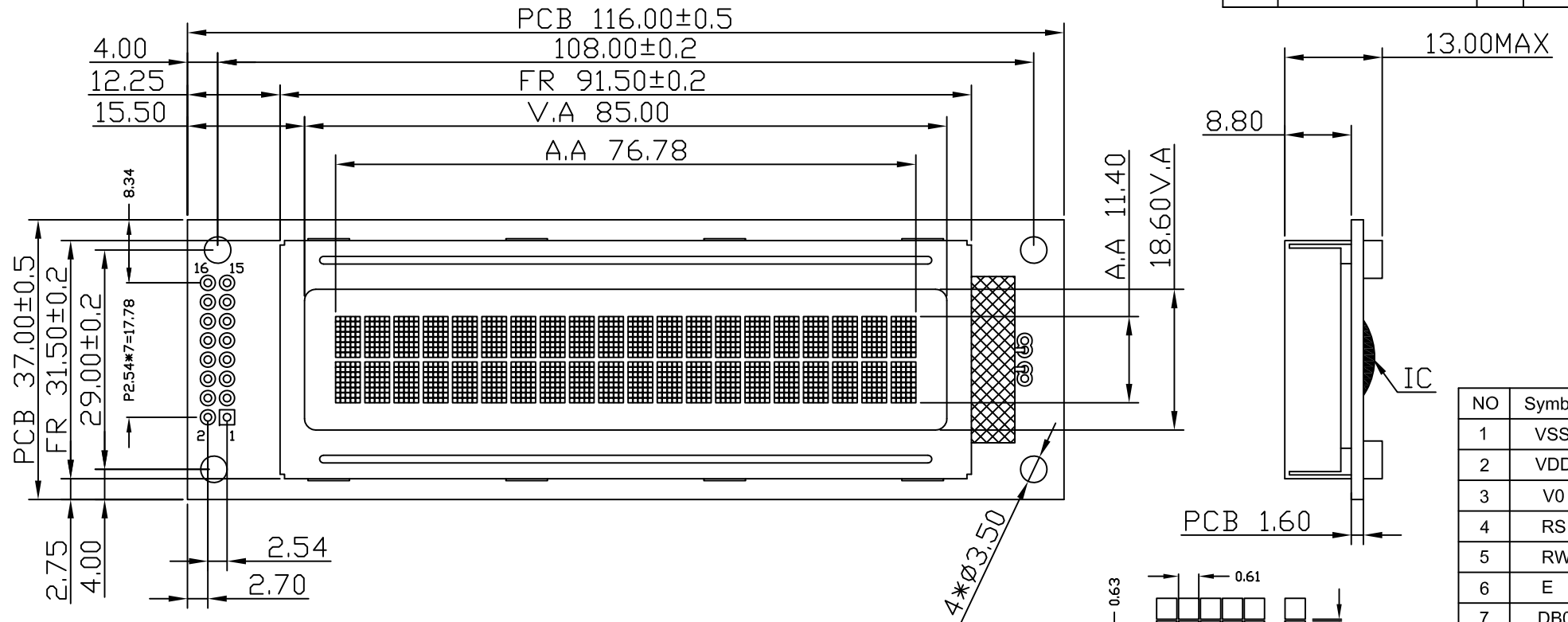



REV:	DESCRIPTION	BY	DATE
V1.0	New issue	XP	2013-09-16



NO	Symbol
1	VSS
2	VDD
3	V0
4	RS
5	RW
6	E
7	DB0
8	DB1
9	DB2
10	DB3
11	DB4
12	DB5
13	DB6
14	DB7
15	A
16	K

NOTES :

- |                       |                                 |
|-----------------------|---------------------------------|
| 1. LCD TYPE:          | STN-Blue, Negative Transmissive |
| 2. OPERATING VOLTAGE: | VDD=5.0V, Vop=5.0V              |
| 3. VIEWING DIRECTION: | 6 O'CLOCK                       |
| 4. DRIVE METHOD:      | 1/16 Duty, 1/5 Bias             |
| 5. OPERATING TEMP:    | -20°C TO +70°C                  |
| 6. STORAGE TEMP:      | -30°C TO +80°C                  |
| 7. CONNECTOR TAPE:    | Zebra                           |
| 8. DRIVER IC:         | AIP31066 or Equivalent          |
| 9. BACKLIGHT:         | White                           |
10. ALL sub-parts and materials of the parts, must comply with the RoHS instructions of EU.

 <b>SINDA DISPLAY TECHNOLOGY CO., LTD.</b>				
SHEET: 1 of 1		MODEL NUMBER : SDCB2002SBW-01	VERSION: 1.0	UNITS: MM
APPROVALS	DATE	GENERAL TOL: ± 0.2		
DWN Mike	2013-09-16	DO NOT SCALE THIS DRAWING.		
CHK		www.sindadisplay.com		
APP CJ	2013-09-16			