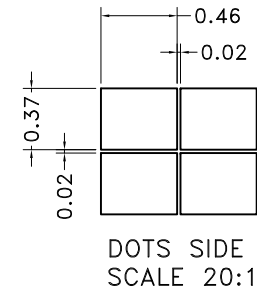
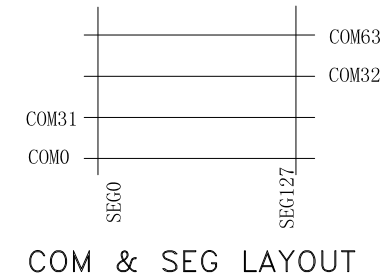
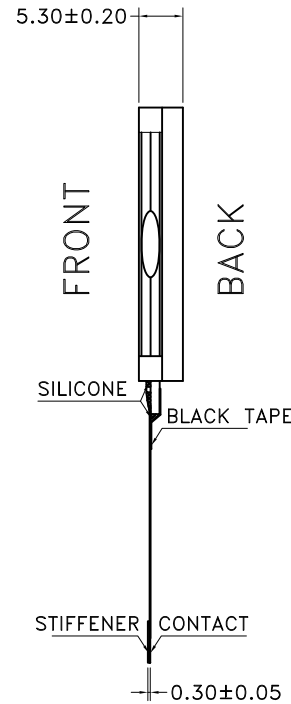
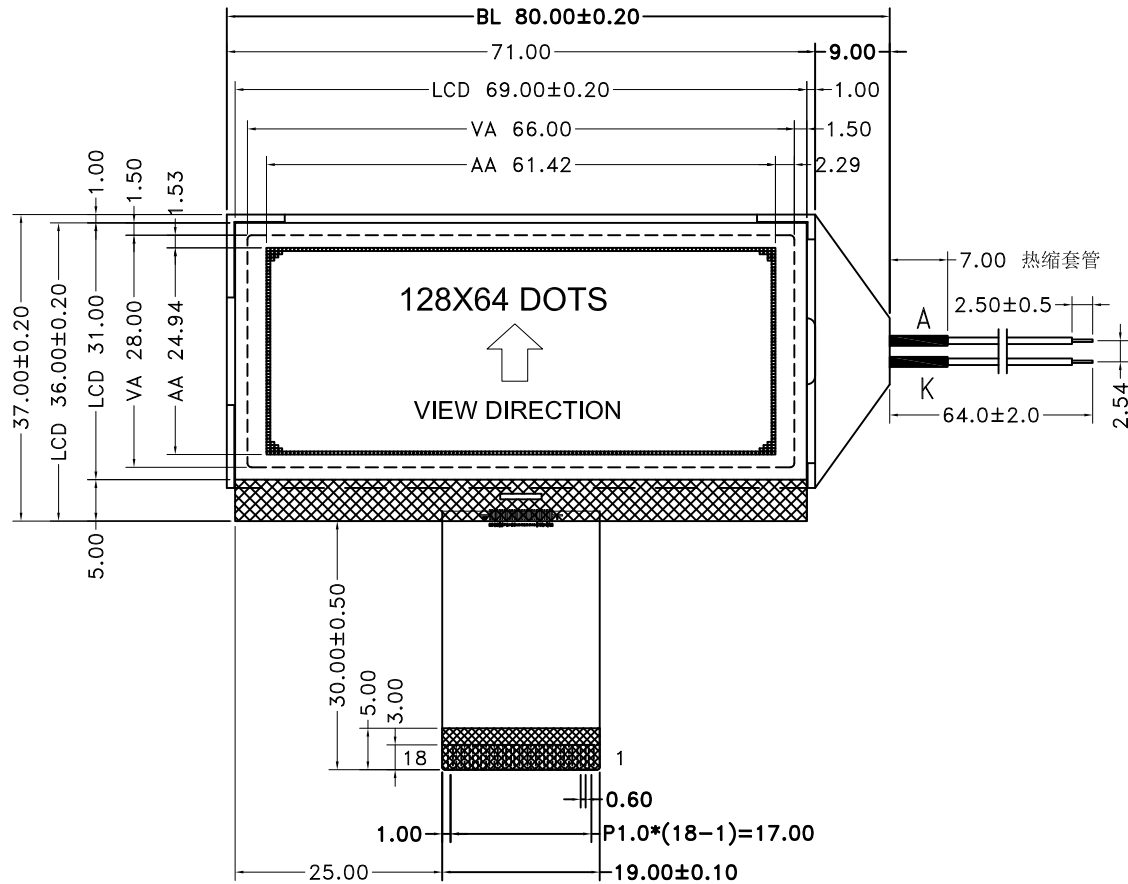


REV:	DESCRIPTION	BY	DATE
V1.0	New issue	Mike	2013-06-24



NO	Symbol
1	/CS1
2	/RES
3	A0
4	SCL
5	SDA
6	VDD
7	VSS
8	NC
9	V0
10	XV0
11	NC
12	NC
13	NC
14	VG
15	NC
16	NC
17	NC
18	NC

NOTES :

- |   |   |
|---|---|
| 1. LCD TYPE:                                  | FSTN, Positive Transmissive                   |
| 2. OPERATING VOLTAGE:                         | VDD=3.0V, Vop=8.4V                            |
| 3. VIEWING DIRECTION:                         | 6 O'CLOCK                                     |
| 4. DRIVE METHOD:                              | 1/65 Duty, 1/9 Bias                           |
| 5. OPERATING TEMP:                            | -10°C TO +60°C                                |
| 6. STORAGE TEMP:                              | -20°C TO +70°C                                |
| 7. CONNECTOR TAPE:                            | COG+FPC                                       |
| 8. DRIVER IC:                                 | ST7567 or Equivalent                          |
| 9. BACKLIGHT:                                 | 1 pcs LED White, VF=3.1±0.2V, IF=15mA         |
| 10. ALL sub-parts and materials of the parts, | must comply with the RoHS instructions of EU. |

		<b>SINDA DISPLAY TECHNOLOGY CO., LTD.</b>	
SHEET: 1 of 1		MODEL NUMBER : SDGG12864-07	VERSION: 1.0
APPROVALS		DATE	UNITS: MM
DWN	Mike	2013-06-24	DO NOT SCALE THIS DRAWING.
CHK			
APP	CJ	2013-06-24	
www.sindadisplay.com			SCALE: 1:1