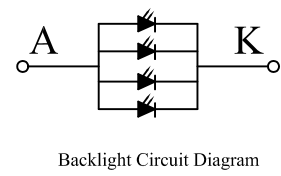
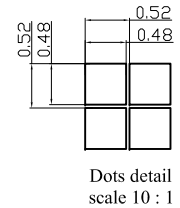
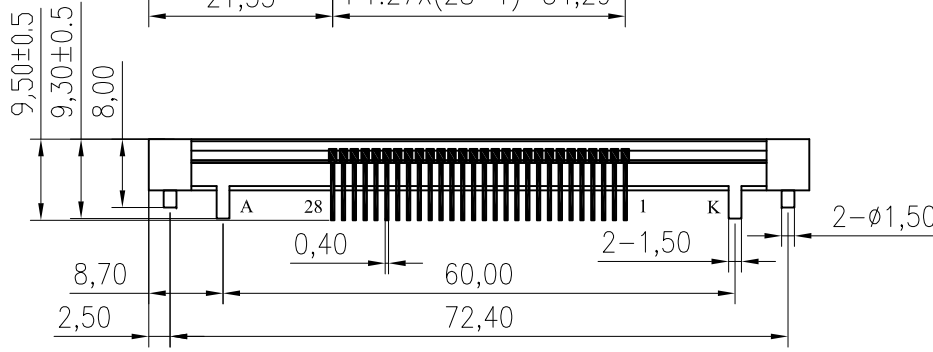
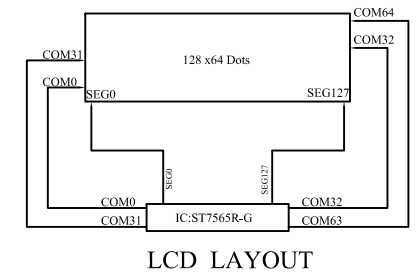
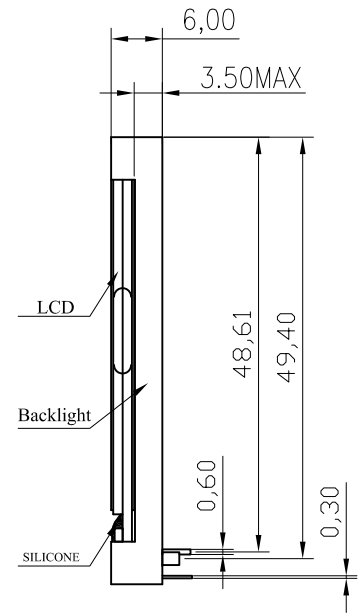
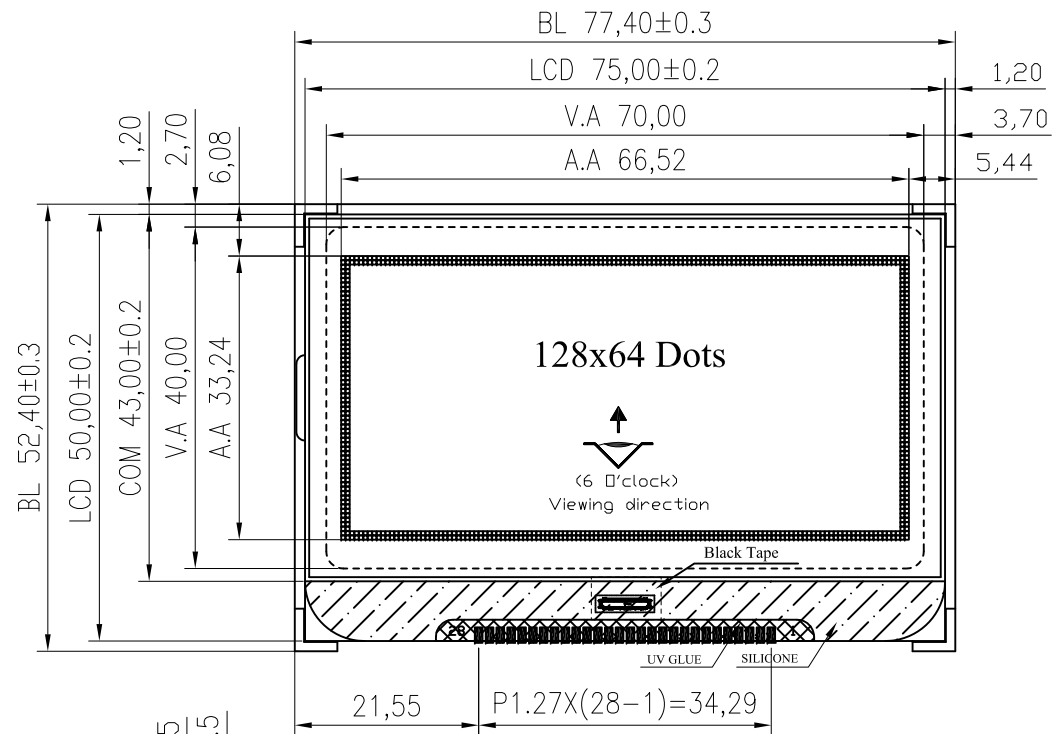


REV:	DESCRIPTION	BY	DATE
V1.0	New issue	Mike	2015-07-14



NO	Symbol
1	/CS1
2	/RES
3	A0
4	/WR
5	/RD
6	DB0
7	DB1
8	DB2
9	DB3
10	DB4
11	DB5
12	DB6
13	DB7
14	VDD
15	VSS
16	VOUT
17	CAP3P
18	CAP1N
19	CAP1P
20	CAP2P
21	CAP2N
22	V4
23	V3
24	V2
25	V1
26	V0
27	C86
28	P/S

- NOTES :
- | | |
|---|---|
| 1. LCD TYPE: | FSTN, Positive Transflective |
| 2. OPERATING VOLTAGE: | VDD=3.0V, Vop=9.0V |
| 3. VIEWING DIRECTION: | 6 O'CLOCK |
| 4. DRIVE METHOD: | 1/65 Duty, 1/9 Bias |
| 5. OPERATING TEMP: | -20°C TO +70°C |
| 6. STORAGE TEMP: | -30°C TO +80°C |
| 7. CONNECTOR TAPE: | COG+7mm Pin |
| 8. DRIVER IC: | ST7565R-G or Equivalent |
| 9. BACKLIGHT: | 4 pcs LED White, VF=3.1±0.2V, IF=20x4mA |
| 10. ALL sub-parts and materials of the parts, | must comply with the RoHS instructions of EU. |

		SINDA DISPLAY TECHNOLOGY CO., LTD.	
SHEET: 1 of 1		MODEL NUMBER : SDGG12864-68	VERSION: 1.0
APPROVALS	DATE	GENERAL TOL: ± 0.2	
DWN Mike	2015-07-14	UNITS: MM	
CHK		DO NOT SCALE THIS DRAWING.	
APP CJ	2015-07-14	www.sindadisplay.com	
		SCALE: 1:1	