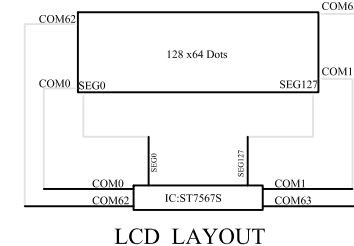
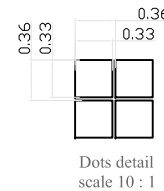
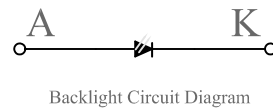
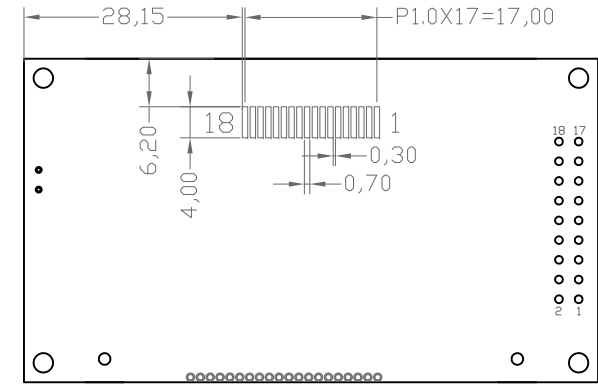
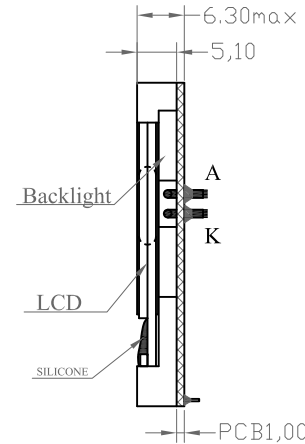
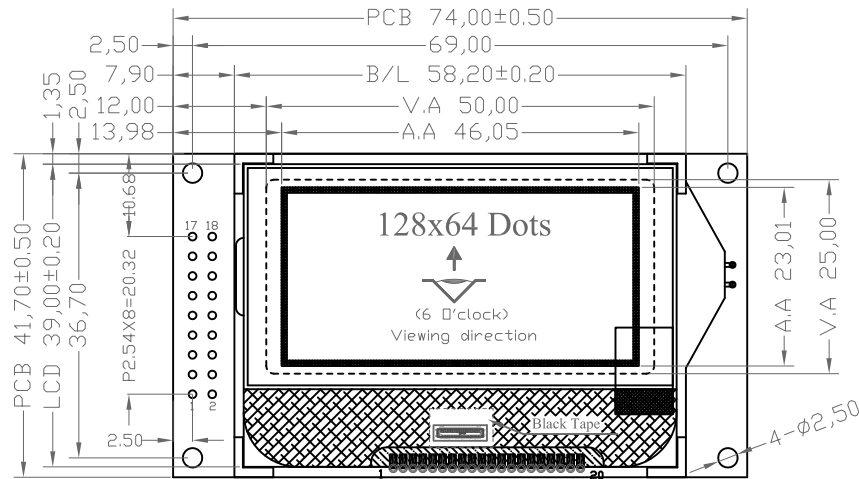


REV:	DESCRIPTION	BY	DATE
V1.0	New issue	Mike	2017-02-23



NO	Symbol
1	GND
2	VDD
3	C86
4	DB7
5	DB6
6	DB5
7	DB4
8	DB3
9	DB2
10	DB1
11	DB0
12	E
13	R/W
14	RS
15	RST
16	/CS1
17	LEDA
18	LEDK

- NOTES :
- | | |
|---|---|
| 1. LCD TYPE: | FSTN, Positive Transflective |
| 2. OPERATING VOLTAGE: | VDD=3.0V, Vop=9.45V |
| 3. VIEWING DIRECTION: | 6 O'CLOCK |
| 4. DRIVE METHOD: | 1/65 Duty, 1/9 Bias |
| 5. OPERATING TEMP: | -20°C TO +70°C |
| 6. STORAGE TEMP: | -30°C TO +80°C |
| 7. CONNECTOR TAPE: | COG+20 Pin |
| 8. DRIVER IC: | ST7567S |
| 9. BACKLIGHT: | 1 pcs LED White, VF=3.1±0.2V, IF=15mA |
| 10. ALL sub-parts and materials of the parts, | must comply with the RoHS instructions of EU. |

SINDA DISPLAY TECHNOLOGY CO., LTD.	
SHEET: 1 of 1	
APPROVALS DATE	
DWN Mike 2017-02-23	
CHK	
APP CJ 2017-02-23	
SDGG12864-59	
www.sindadisplay.com	
VERSION: 1.0 UNITS: MM	
GENERAL TOL: ± 0.2	
DO NOT SCALE THIS DRAWING.	
SCALE: 1:1	