

8

7

6

5

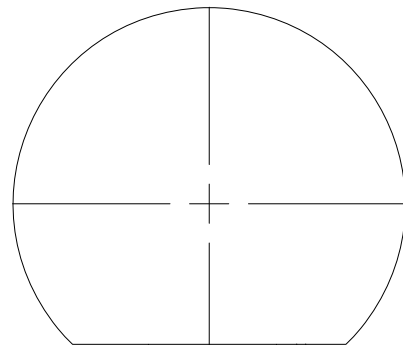
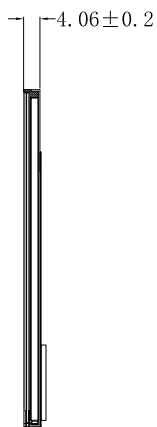
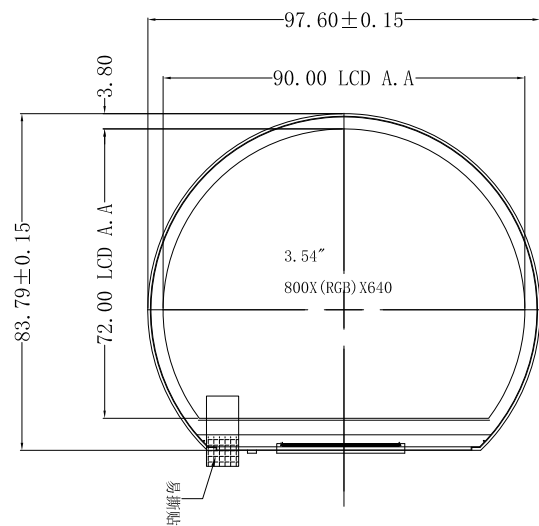
4

3

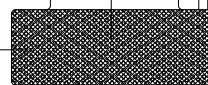
2

1

REV:	DESCRIPTION	BY	DATE
V1.0	New issue	SD-04	2022-12-10



钢片补强T=0.1mm  
双面胶 T=0.05mm



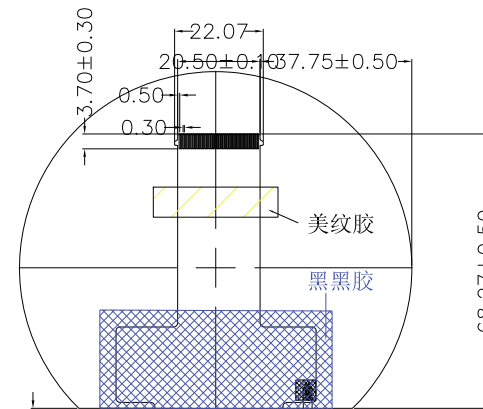
单层区

带补强板厚度T=0.3±0.03

5.00±0.30

LED CIRCUIT DIAGRAM

未注公差尺寸均为0.2



0.70max

FPC

弯折出货

PIN SYMBOL

1	LED K
2	LED K
3	LED A
4	LED A
5	GND
6	VCC
7-14	R0-R7
15-22	G0-G7
23-30	B0-B7
31	GND
32	DCLK
33	STBYB
34	HS
35	VS
36	DE
37	VDDOTP
38	SPI SDAI
39	SPI SCL
40	SPI CSB

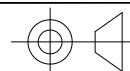
LED CIRCUIT DIAGRAM:



If=180mA Vf=16.8~20.4V 800 cd/m2 (typ)

## NOTES:

- 1.DISPLAY TYPE:TFT TRANSMISSIVE
- 2.VIEWING DIRECTION:ALL O'CLOCK
- 2.OPERATING TEMP: -30°~80°
- 3.STORAGE TEMP: -30°~85°
- 4.DRIVER IC: COG FL5893DA
- 5.BACK LIGHT: 12 CHIP WHITE LED



SINDA DISPLAY TECHNOLOGY CO., LTD.

SHEET: 1 of 1

APPROVALS DATE

DWN SD-04 2022-12-10

CHK

APP SD-11 2022-12-10

MODEL NUMBER :  
SDT03513N-H40

VERSION: 1.0

GENERAL TOL:± 0.2

DO NOT SCALE THIS DRAWING.

UNITS:

MM

www.sindadisplay.com

SCALE: 1:1

8

7

6

5

4

3

2

1

D

C

B

A

D

C

B

A