

8

7

6

5

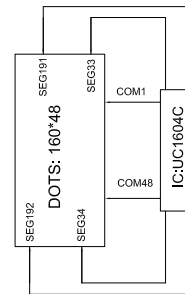
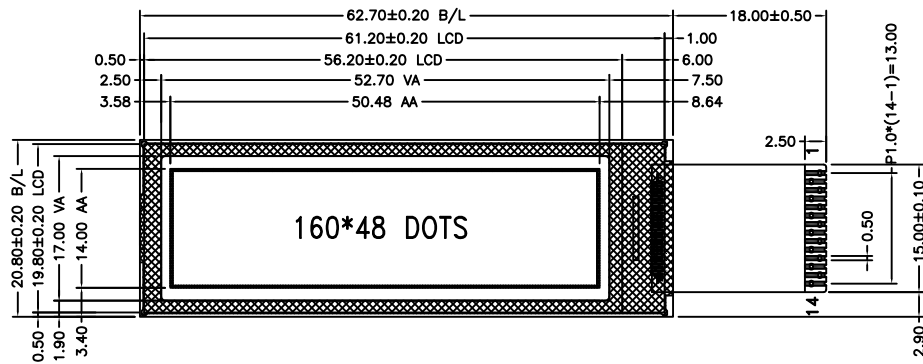
4

3

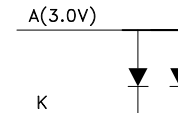
2

1

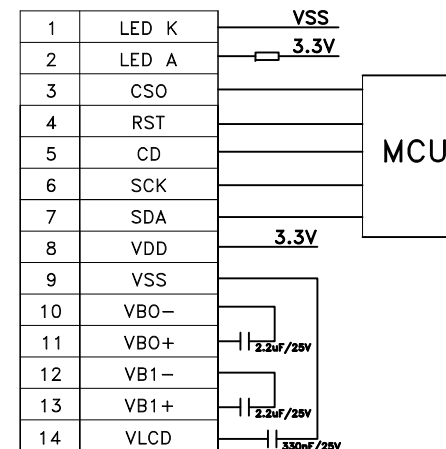
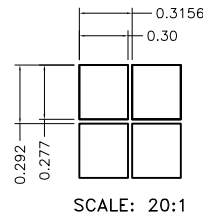
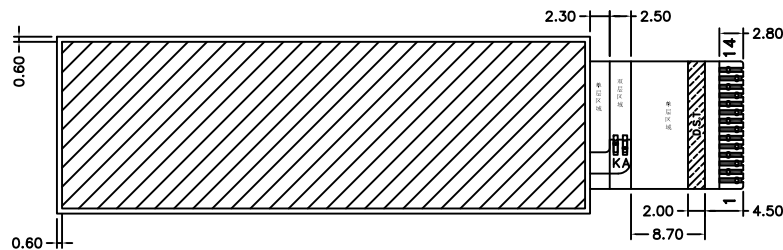
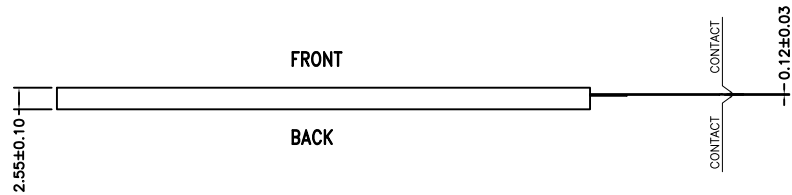
REV:	DESCRIPTION	BY	DATE
V1.0	New issue	SD-04	2017-08-31



LCD LAYOUT

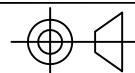


BACKLIGHT CIRCUIT  
2PCS White LEDs



NOTES :

- LCD TYPE: FSTN, Positive Transflective
- OPERATING VOLTAGE: VDD=3.3V, Vop=10.0V
- VIEWING DIRECTION: 6 O'CLOCK
- DRIVE METHOD: 1/64 Duty, 1/9 Bias
- OPERATING TEMP: -20°C TO +70°C
- STORAGE TEMP: -30°C TO +80°C
- CONNECTOR TAPE: COG+FPC
- DRIVER IC: UC1604C
- BACKLIGHT: 2 pcs LED White, VF=3.1±0.2V, IF=15x2mA
- ALL sub-parts and materials of the parts, must comply with the RoHS instructions of EU.



**SINDA** SINDA DISPLAY TECHNOLOGY CO., LTD.

SHEET: 1 of 1		
APPROVALS	DATE	
DWN	SD-04	2017-08-31
CHK		
APP	SD-11	2017-08-31

MODEL NUMBER :	VERSION: 1.0	UNITS: MM
<b>SDGG16048-04</b>	GENERAL TOL: ± 0.2	
DO NOT SCALE THIS DRAWING.		
www.sindadisplay.com		SCALE: 1:1

8

7

6

5

4

3

2

1