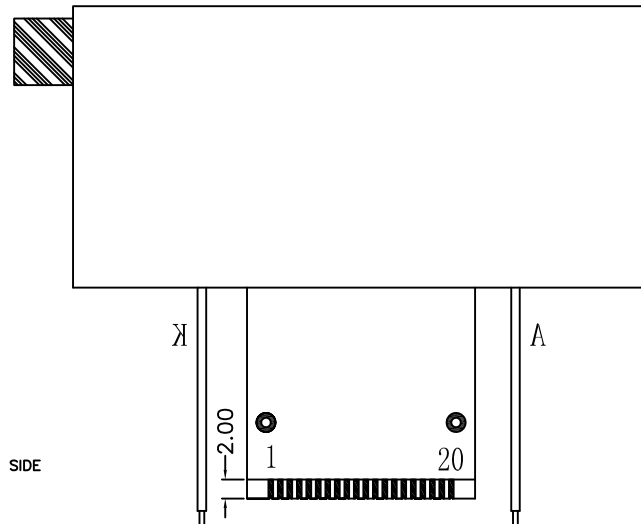
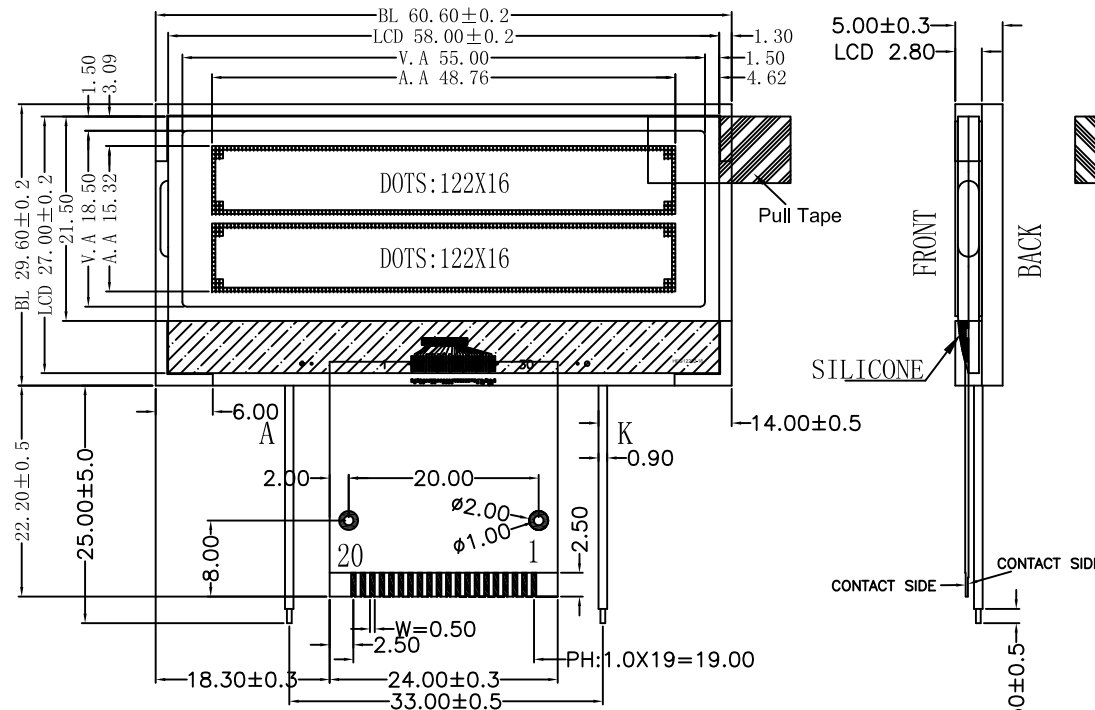
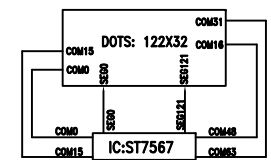
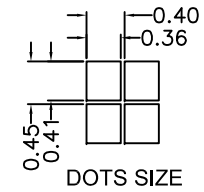
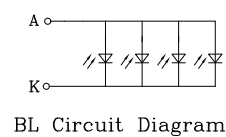


REV:	DESCRIPTION	BY	DATE
V1.0		SD-02	2021-08-17



1	CSB
2	RES1B
3	RS
4	SCLK
5	SID
6	VDD
7	VSS
8	NC
9	NC
10	NC
11	NC
12	NC
13	NC
14	VO
15	XVO
16	NC
17	NC
18	VG
19	NC
20	NC

↑
VIEWING DIRECTION



- NOTES :
- LCD TYPE: FSTN Positive Transmissive
 - OPERATING VOLTAGE: Vop=3.0V
 - VIEWING DIRECTION: 6 O'CLOCK
 - DRIVE METHOD: 1/33Duty,1/6Bais
 - OPERATING TEMP: -20°C ~ +70°C
 - STORAGE TEMP: -30°C ~ +80°C
 - CONNECTOR TAPE: COG+FPC
 - DRIVER IC: ST7567
 - Backlight: 4pcs White LEDS VF=3.1±0.20V,IF=15*4mA
 - ALL sub-parts and materials of the parts,must comply with the RoHS instructions of EU.

		SINDA DISPLAY TECHNOLOGY CO., LTD.	
SHEET: 1 of 1		MODEL NUMBER : SDGG12232-07	VERSION: 1.0
APPROVALS	DATE	UNITS: MM	
DWN	SD-02 2021-08-17	GENERAL TOL:± 0.2	
CHK		DO NOT SCALE THIS DRAWING.	
APP	SD-11 2021-08-17	SCALE: 1:1	
www.sindadisplay.com			