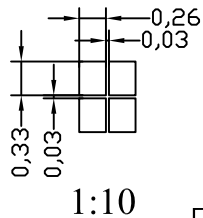
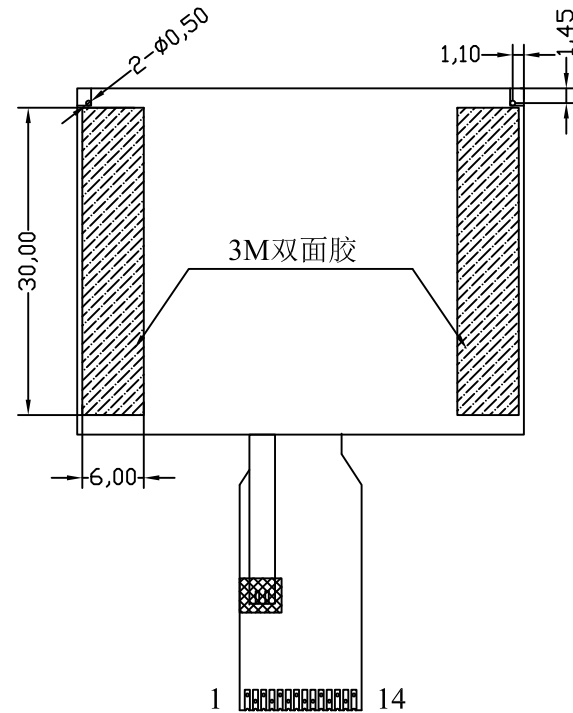
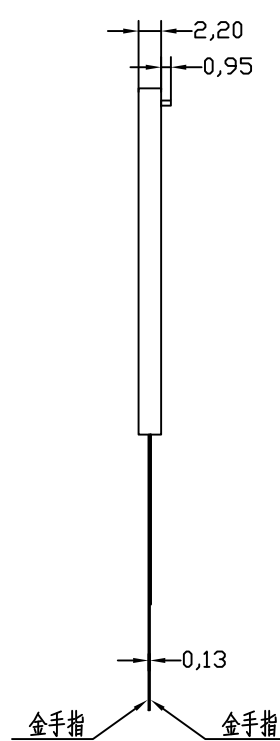
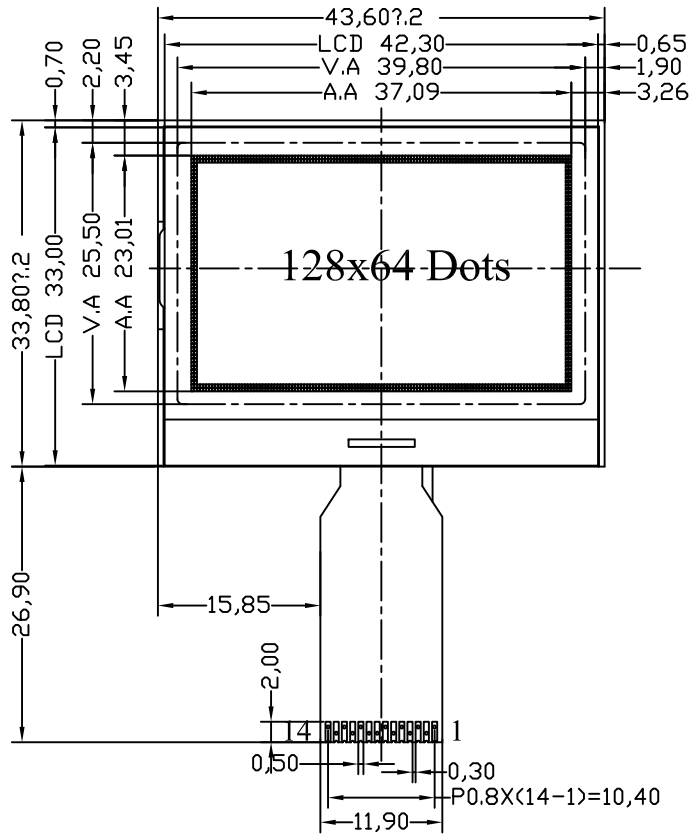



REV:	DESCRIPTION	BY	DATE
V1.0	New issue	Mike	2015-07-29



NO.	PIN
1	CSB
2	RES
3	D/C
4	SCK
5	SDA
6	VDD
7	GND
8	VB0+
9	VB0-
10	VB1-
11	VB1+
12	VOU
13	LED+
14	LED-

NOTES :

- | | |
|---|-----------------------------|
| 1. LCD TYPE: | FSTN Positive Transflective |
| 2. OPERATING VOLTAGE: | Vop=3.0V, VLCD=8.7V |
| 3. VIEWING DIRECTION: | 6 O'CLOCK |
| 4. DRIVE METHOD: | 1/65 Duty; 1/9 Bias |
| 5. OPERATING TEMP: | -20°C TO +70°C |
| 6. STORAGE TEMP: | -30°C TO +80°C |
| 7. CONNECTOR TAPE: | FPC(COG) |
| 8. DRIVER IC: | UC1601X |
| 9. BACKLIGHT: | White side LED, V=3.1±2.0V |
| 10. ALL sub-parts and materials of the parts, must comply with the RoHS instructions of EU. | |

 SINDA DISPLAY TECHNOLOGY CO., LTD.				
SHEET: 1 of 1		MODEL NUMBER : SDGG12864-215C	VERSION: 1.0	UNITS: MM
APPROVALS	DATE	GENERAL TOL: ± 0.2		
DWN Mike	2015-07-29	DO NOT SCALE THIS DRAWING.		
CHK		www.sindadisplay.com		
APP DC	2015-07-29	SCALE: 1:1		