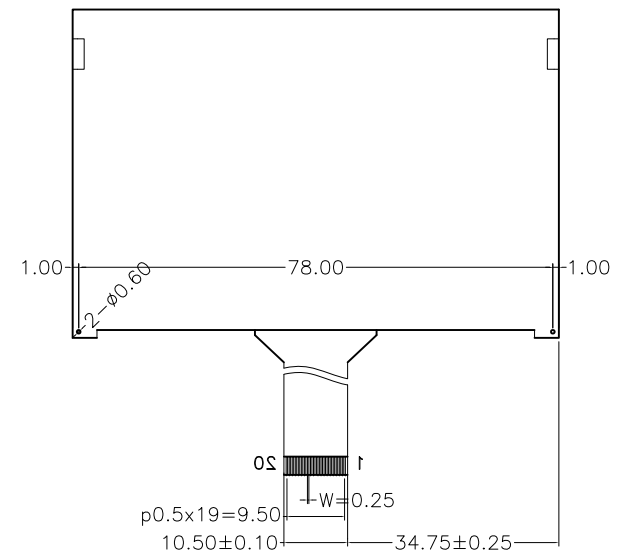
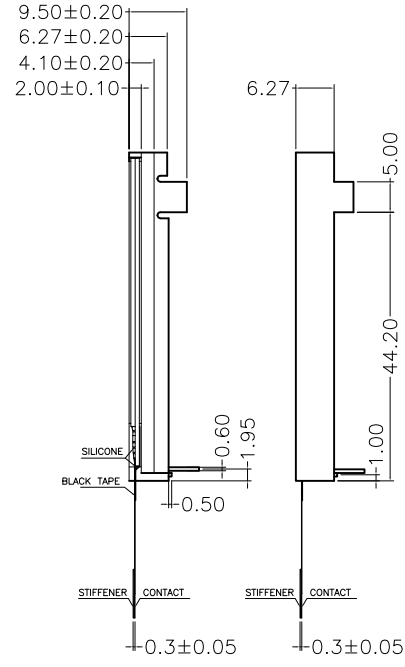
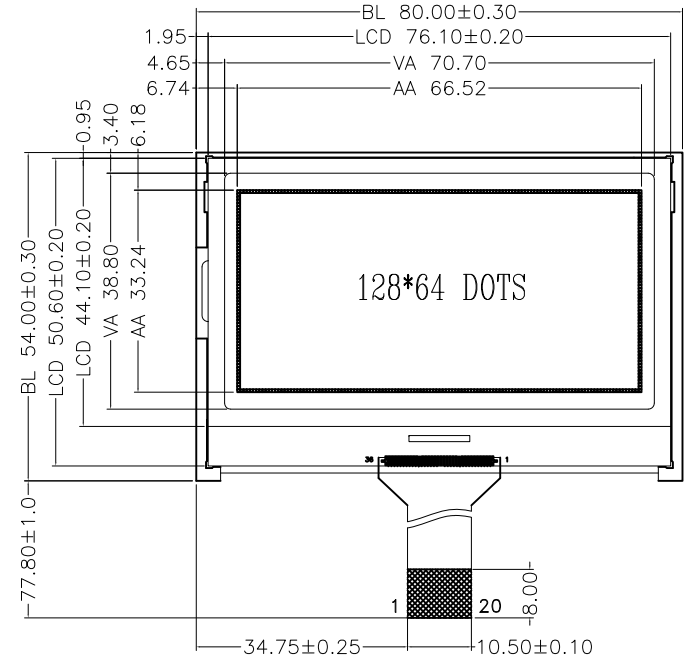
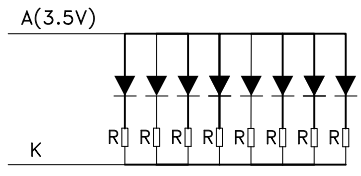
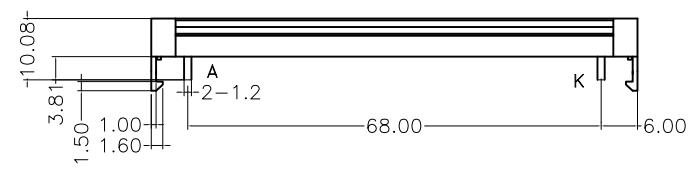


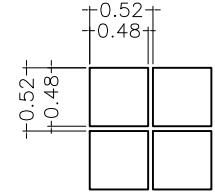
REV:	DESCRIPTION	BY	DATE
V1.0	New issue	SD-03	



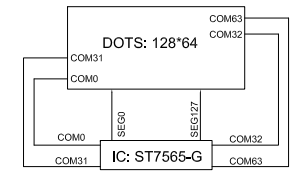
NO	Symbol
1	PSB
2	C86
3	VG
4	XV0
5	V0
6	VSS
7	VDD
8	D7
9	D6
10	D5
11	D4
12	D3
13	D2
14	D1
15	D0
16	E/RD
17	RW
18	A0
19	RST
20	CSB



BACKLIGHT CIRCUIT  
8PCS WHITE LEDS



DOTS SIDE  
SCALE 20:1



LCD LAYOUT

- NOTES :
- LCD TYPE: FSTN, Positive Transflective
  - OPERATING VOLTAGE: VDD=3.3V, Vop=10.0V
  - VIEWING DIRECTION: 6 O'CLOCK
  - DRIVE METHOD: 1/65 Duty, 1/9 Bias
  - OPERATING TEMP: -20°C TO +70°C
  - STORAGE TEMP: -30°C TO +80°C
  - CONNECTOR TAPE: FPC
  - DRIVER IC: ST7567-G or Equivalent
  - BACKLIGHT: 8 pcs LED White, VF=3.5±0.2V, IF=96mA
  - ALL sub-parts and materials of the parts, must comply with the RoHS instructions of EU.

		<b>SINDA DISPLAY TECHNOLOGY CO., LTD.</b>	
SHEET: 1 of 1		MODEL NUMBER :	VERSION: 1.0
APPROVALS		DATE	UNITS: MM
DWN	SD-03	2018-07-05	DO NOT SCALE THIS DRAWING.
CHK			
APP	SD-11	2018-07-05	SCALE: 1:1
www.sindadisplay.com			