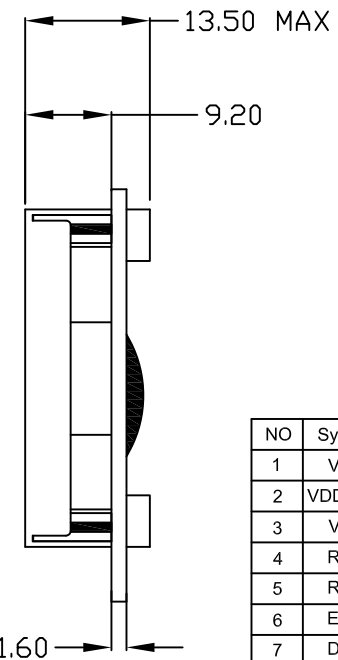
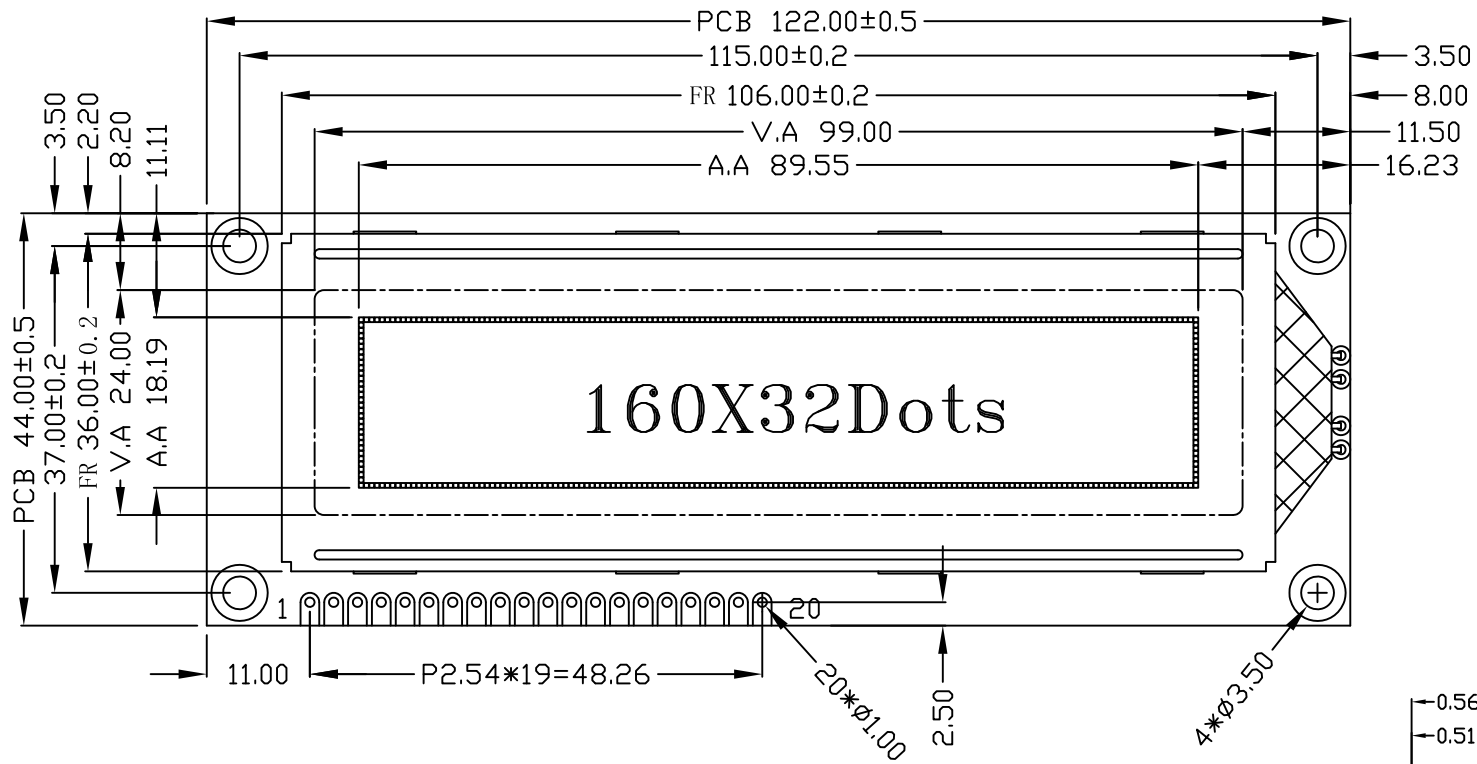
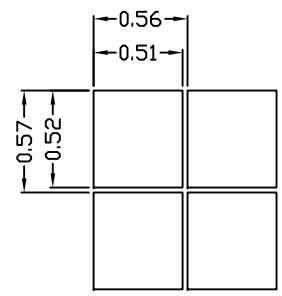


REV:	DESCRIPTION	BY	DATE
V1.0	New issue	Mike	2013-03-14



NO	Symbol
1	VSS
2	VDD(5.0V)
3	V0
4	RS
5	RW
6	E
7	DB0
8	DB1
9	DB2
10	DB3
11	DB4
12	DB5
13	DB6
14	DB7
15	PSB
16	N.C
17	RST
18	VEE
19	LEDA(5.0V)
20	LEDK



DOT SIZE:

- NOTES :
- 1. LCD TYPE: STN-Blue, Negative Transmissive
 - 2. OPERATING VOLTAGE: VDD=5.0V, Vop=4.8V
 - 3. VIEWING DIRECTION: 6 O'CLOCK
 - 4. DRIVE METHOD: 1/32 Duty, 1/6 Bias
 - 5. OPERATING TEMP: -20°C TO +70°C
 - 6. STORAGE TEMP: -30°C TO +80°C
 - 7. CONNECTOR TAPE: Zebra
 - 8. DRIVER IC: AIP31020 or Equivalent
 - 9. BACKLIGHT: White
 - 10. ALL sub-parts and materials of the parts, must comply with the RoHS instructions of EU.

		SINDA DISPLAY TECHNOLOGY CO., LTD.	
SHEET: 1 of 1		MODEL NUMBER : SDGB16032-03	VERSION: 1.0
APPROVALS	DATE	GENERAL TOL: ± 0.2	
DWN Mike	2013-03-14	UNITS: MM	
CHK		DO NOT SCALE THIS DRAWING.	
APP CJ	2013-03-14	SCALE: 1:1	
www.sindadisplay.com			