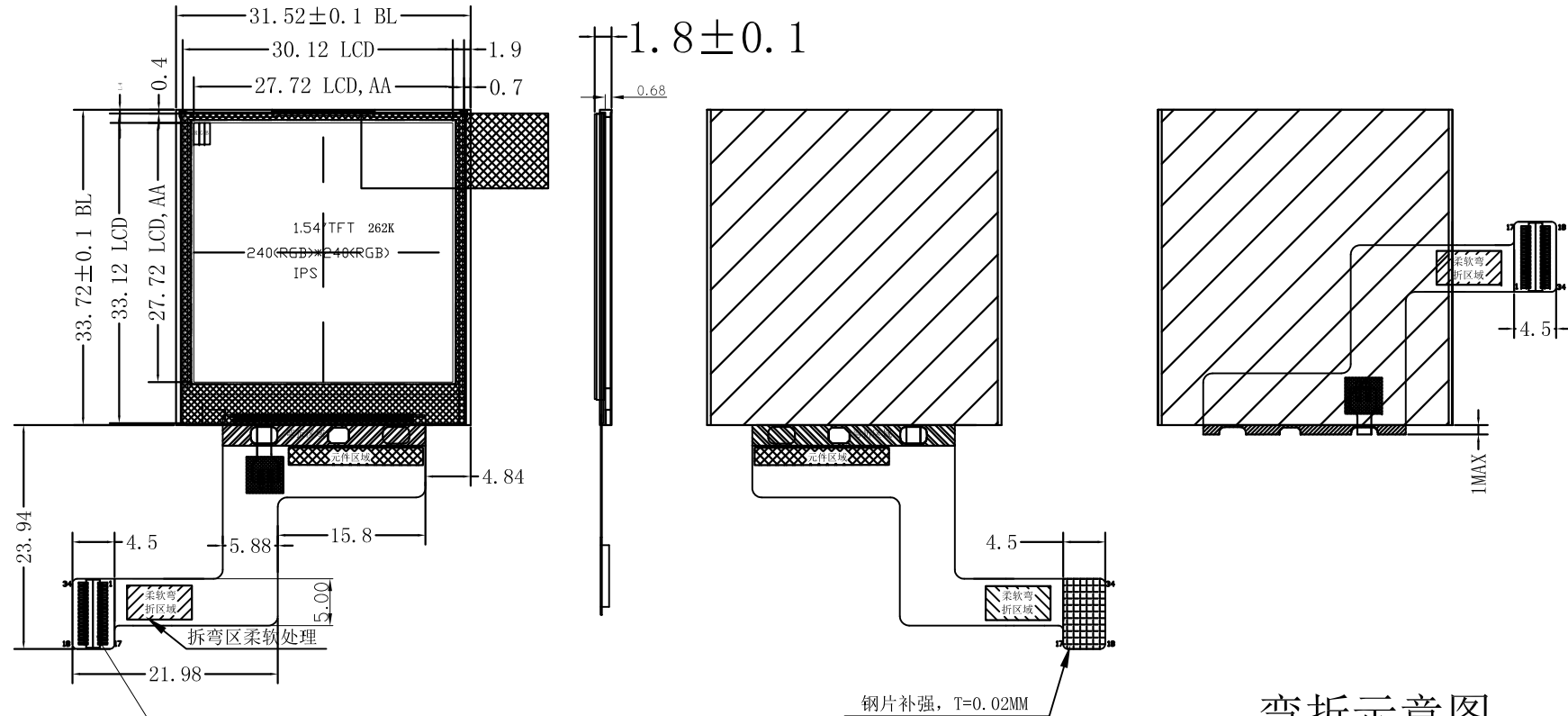


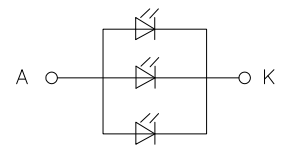
REV:	DESCRIPTION	BY	DATE
V1.0	NEW	SD-03	



PIN:	SYMBLE
1	LED_A
2	LED_A
3	LEDK
4	GND
5	GND
6	GND
7	VCC (2.8V~3.3V)
8	VCC (2.8V~3.3V)
9	CS
10	SCL
11	SDA
12	RESET
13	VSYNC
14	HSYNC
15	DOTCLK
16	ENABLE
17	DB17 (R5)
18	DB16 (R4)
19	DB15 (R3)
20	DB14 (R2)
21	DB13 (R1)
22	DB12 (R0)
23	DB11 (G5)
24	DB10 (G4)
25	DB9 (G3)
26	DB8 (G2)
27	DB7 (G1)
28	DB6 (G0)
29	DB5 (B5)
30	DB4 (B4)
31	DB3 (B3)
32	DB2 (B2)
33	DB1 (B1)
34	DB0 (B0)

弯折示意图
展开出货

1. DISPLAY TYPE: TFT(16.7M COLORS)
2. VIEWING DIRECTION: IPS
3. POLARIZER MODE: TRANSMISSIVE/NORMALLY BLACK
4. DRIVER IC: ST7789V
5. BACK LIGHT: 3CHIP-WHITE LED; 60MA, 3.2V
6. OPERATING TEMP.: -20° C~70° C
7. STORAGE TEMP.: -30° C~80° C
8. UNMARKED TOLERANCE: ±0.2
9. 要求机壳泡棉开窗要比LCD V. A区单边小0.3MM以上



SINDA DISPLAY TECHNOLOGY CO., LTD.		VERSION: 1.0		UNITS: MM
		MODEL NUMBER : SDT01601-A34		GENERAL TOL: ± 0.2
SHEET: 1 of 1		DO NOT SCALE THIS DRAWING.		
APPROVALS	DATE	www.sindadisplay.com		SCALE: 1:1
DWN	SD-03 2017-11-21			
CHK				
APP	SD-11 2017-11-21			