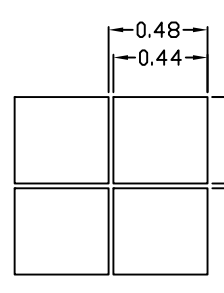
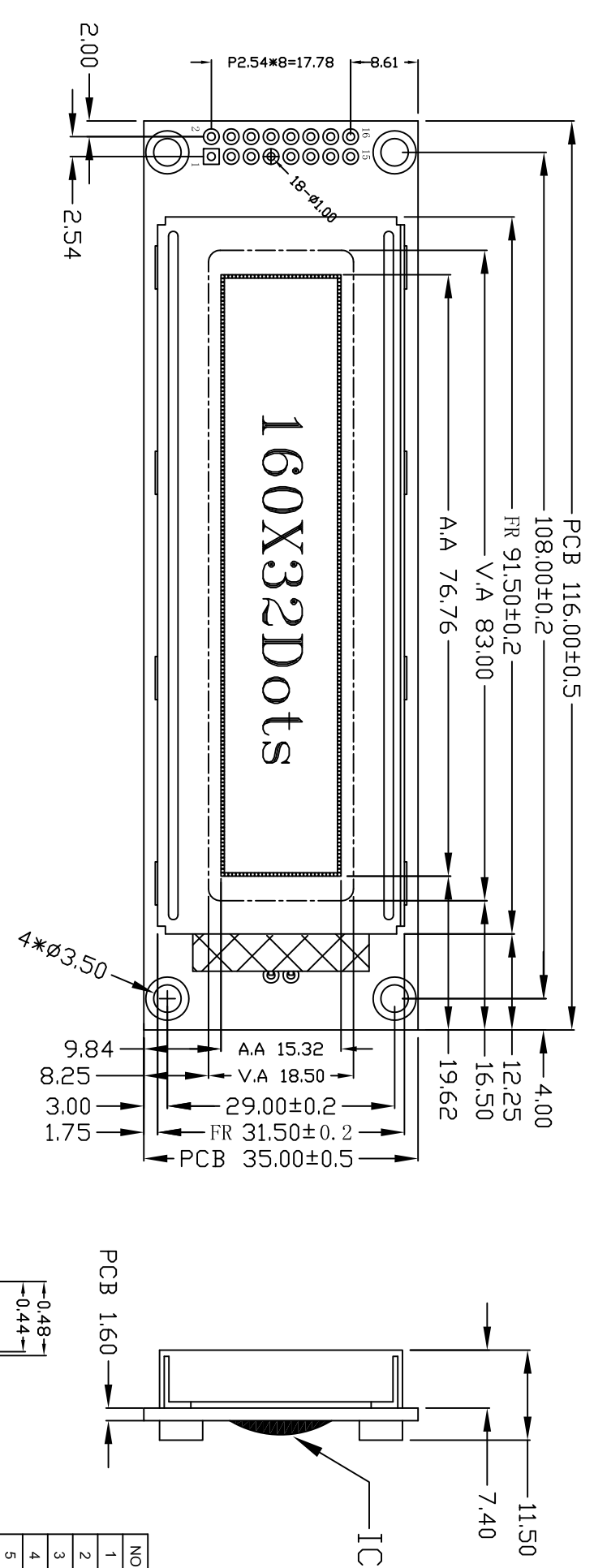


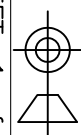
REV:	DESCRIPTION	BY	DATE
V1.0	New Issue	Mike	2013-01-10



NO	Symbol
1	VSS
2	VDD(5.0V)
3	V0
4	RS
5	RW
6	E
7	DB0
8	DB1
9	DB2
10	DB3
11	DB4
12	DB5
13	DB6
14	DB7
15	LEDA(5.0V)
16	LEDC

NOTES:

1. LCD TYPE: STN-Blue, Negative Transmissive
2. OPERATING VOLTAGE: VDD=5.0V, Vop=4.5V
3. VIEWING DIRECTION: 6 O'CLOCK
4. DRIVE METHOD: 1/32 Duty, 1/5 Bias
5. OPERATING TEMP: -20°C TO +70°C
6. STORAGE TEMP: -30°C TO +80°C
7. CONNECTOR TAPE: Zebra
8. DRIVER IC: AIP31020 or Equivalent
9. BACKLIGHT: White
10. ALL sub-parts and materials of the parts, must comply with the RoHS instructions of EU.



SINDA SINDA DISPLAY TECHNOLOGY CO., LTD.

SHEET: 1 of 1	DATE: 2013-01-10	MODEL NUMBER: SDGB16032-01	VERSION: 1.0	UNITS: MM
APPROVALS: DWN Mike	DATE: 2013-01-10	GENERAL TOL: ± 0.2	DO NOT SCALE THIS DRAWING.	
CHK: APP	CJ	2013-01-10	SCALE: 1:1	