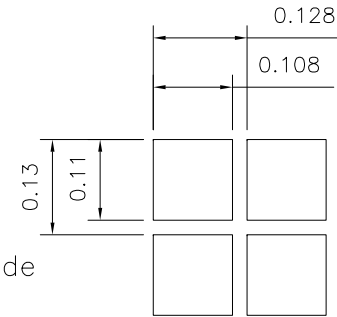
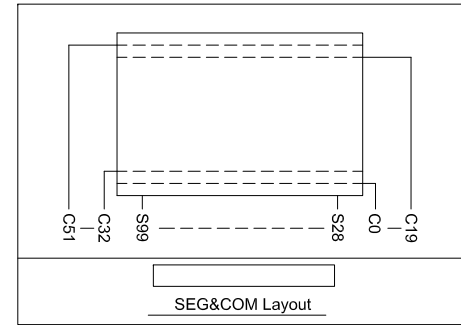
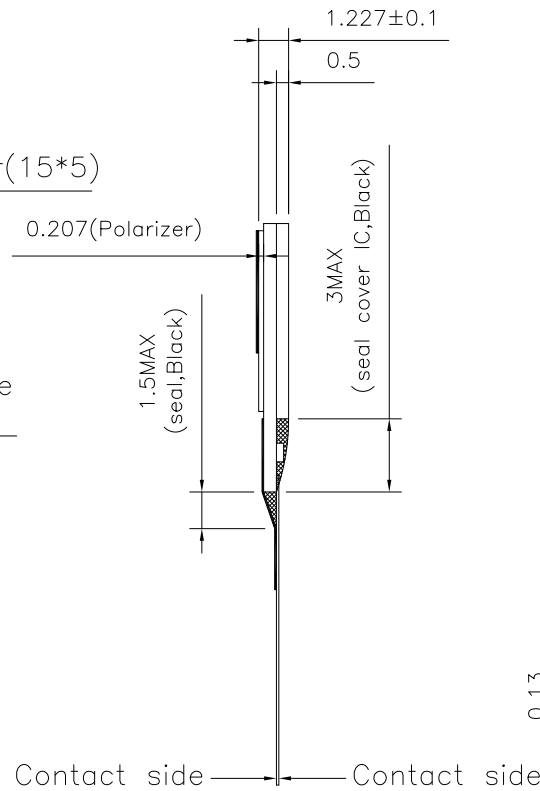
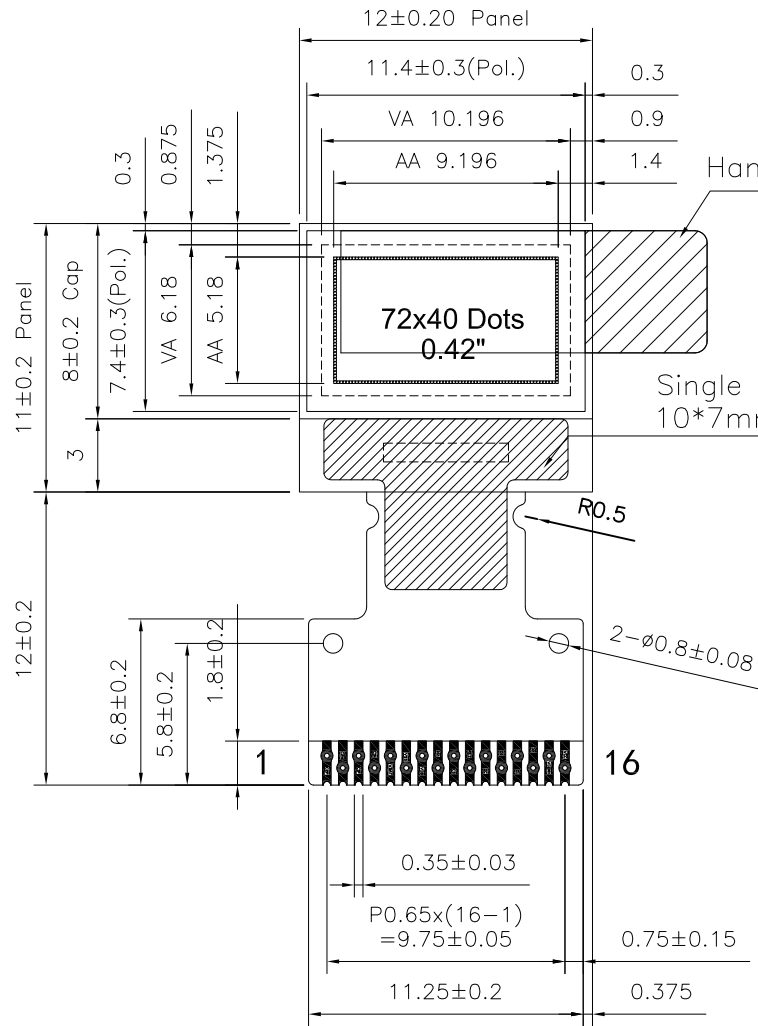


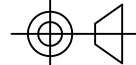
REV:	DESCRIPTION	BY	DATE
V1.0	New issue	SD-02	2015-05-12



PIN	SYMBOL
1	C2P
2	C2N
3	C1P
4	C1N
5	VBAT
6	VSS
7	VDD
8	BS1
9	CS#
10	RES#
11	D/C#
12	D0
13	D1
14	D2
15	VCOMH
16	VCC

Specifications:

1. Display : OLED(White).
2. Dot Matrix: 72*40
3. Dot Size: 0.108*0.11mm
4. Dot Pitch: 0.128*0.13mm
5. Aperture Rate: 71%
6. Active Area : 9.196*5.18mm
7. Drive IC: SSD1306BZ

 SINDA DISPLAY TECHNOLOGY CO., LTD.				
SHEET: 1 of 1		MODEL NUMBER : SDO7240-01	VERSION: 1.0	UNITS: MM
APPROVALS	DATE	GENERAL TOL: ± 0.2		
DWN	SD-02	DO NOT SCALE THIS DRAWING.		
CHK				
APP	SD-11			
		www.sindadisplay.com		SCALE: 1:1