

8

7

6

5

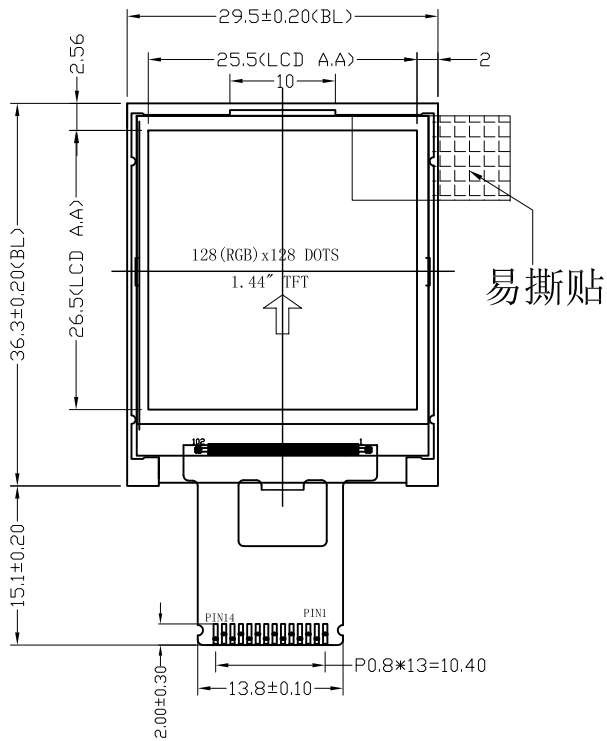
4

3

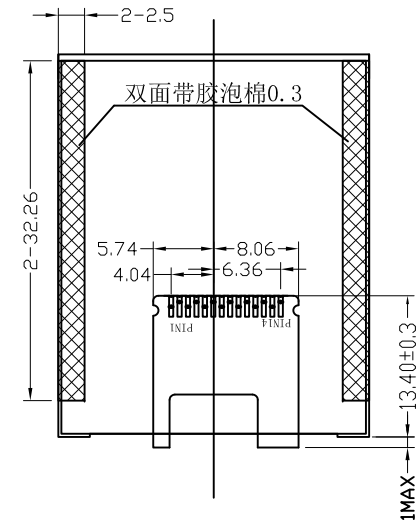
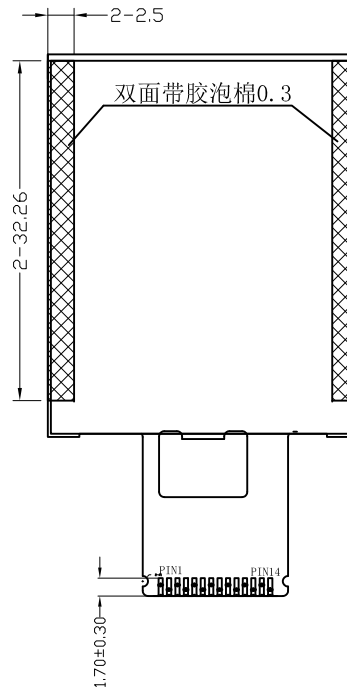
2

1

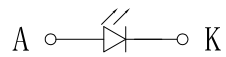
REV:	DESCRIPTION	BY	DATE
V1.0	New issue	SD-06	2017-01-13



2.2±0.10 不含背胶



1	LED K
2	LED A
3	GND
4	LCD_ID
5	RESET
6	MOSI
7	MISO
8	SCK
9	VDD2.8V
10	VIO1.8V
11	CS
12	TE
13	RS
14	GND



背光电路图 (CIRCUIT DIAGRAM)

Notes:

- 1). Display mode: 65K TFT/Transmissive
- 2). Viewing angle: 12 O'clock
- 3). Operating temp.: -20°C~+70°C
Storage temp.: -30°C~+80°C
- 4). IC:GC9106
- 5). Backlight: 2 chip White LED ,in Parallel
- 6). General Tolerance:±0.20.
- 7). Rohs Compliancy.
- 8). with mark "()" are referenced

		SINDA DISPLAY TECHNOLOGY CO., LTD.	
SHEET: 1 of 1		MODEL NUMBER : SDT01401-A14	VERSION: 1.0 GENERAL TOL:± 0.2 DO NOT SCALE THIS DRAWING.
APPROVALS	DATE	UNITS: MM	
DWN	SD-06 2017-01-13	SCALE: 1:1	
CHK			
APP	SD-11 2017-01-13		
www.sindadisplay.com			

8

7

6

5

4

3

2

1