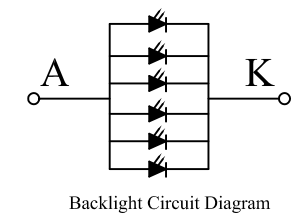
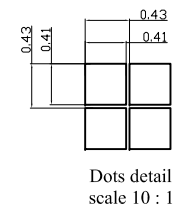
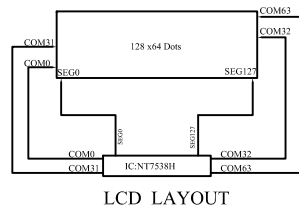
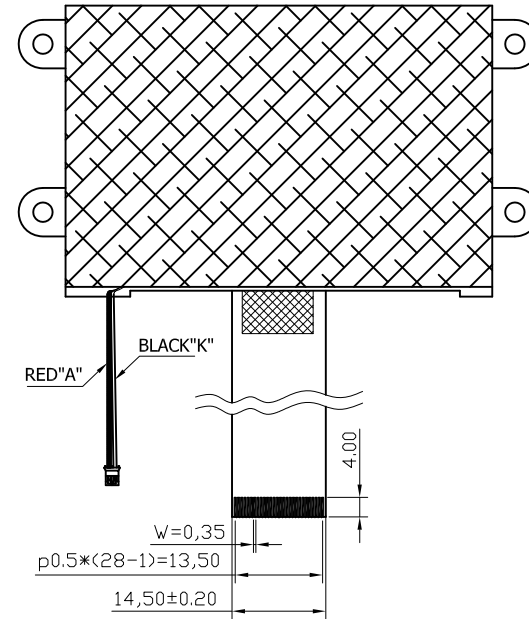
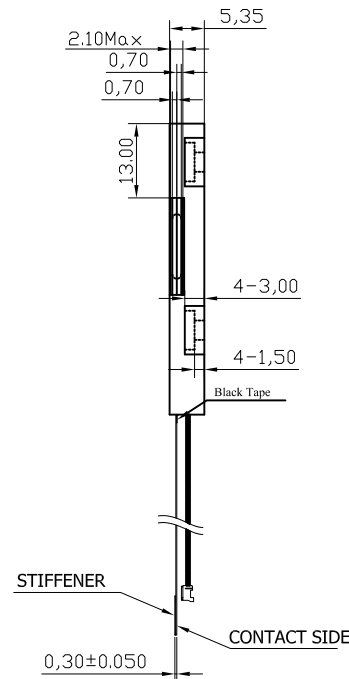
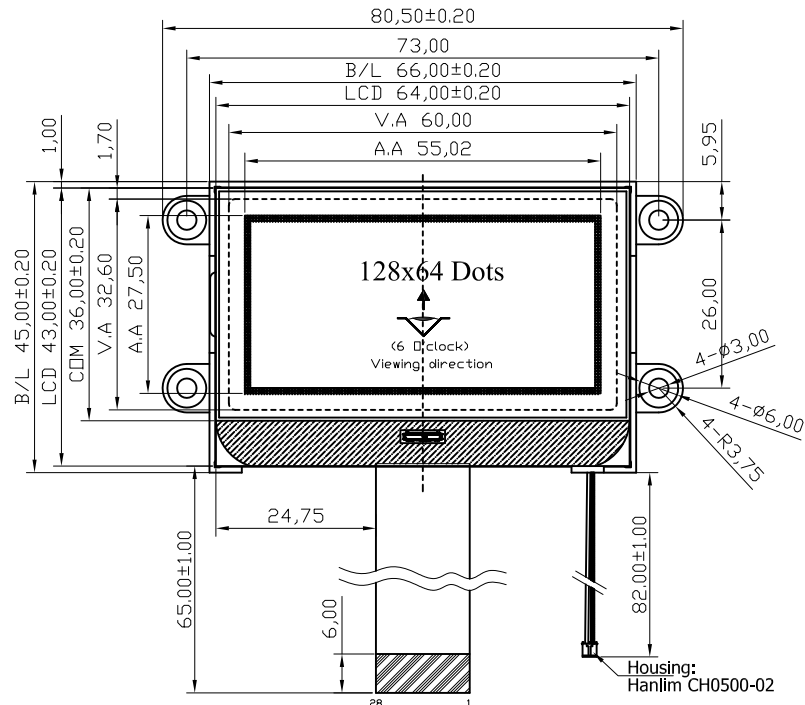


REV:	DESCRIPTION	BY	DATE
V1.0	New issue	Mike	2016-12-26



NO	Symbol
1	/CS1
2	/RES
3	A0
4	/WR
5	/RD
6	DB0
7	DB1
8	DB2
9	DB3
10	DB4
11	DB5
12	DB6
13	DB7
14	VDD
15	VSS
16	VOUT
17	CAP3P
18	CAP1N
19	CAP1P
20	CAP2P
21	CAP2N
22	V1
23	V2
24	V3
25	V4
26	V0
27	/VR
28	IRS

NOTES :

- LCD TYPE: FSTN, Positive Transflective
- OPERATING VOLTAGE: VDD=3.0V, Vop=7.7V
- VIEWING DIRECTION: 6 O'CLOCK
- DRIVE METHOD: 1/65 Duty, 1/9 Bias
- OPERATING TEMP: -20°C TO +70°C
- STORAGE TEMP: -30°C TO +80°C
- CONNECTOR TAPE: FPC
- DRIVER IC: NT7538H or Equivalent
- BACKLIGHT: 6 pcs LED White, VF=3.1±0.2V, IF=15x6mA
- ALL sub-parts and materials of the parts, must comply with the RoHS instructions of EU.

		深圳市金逸晨电子有限公司 GlodenMorning (H.K) Electronic co., Ltd	
SHEET: 1 of 1		MODEL NUMBER : GMG12864-168	
APPROVALS	DATE	VERSION: 1.0	SCALE: 1:1
DWN XYP	2016-12-26	GENERAL TOL: ± 0.2	
CHK		UNITS: MM	
APP SZ	2016-12-26	DO NOT SCALE THIS DRAWING.	