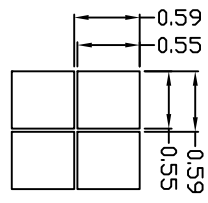
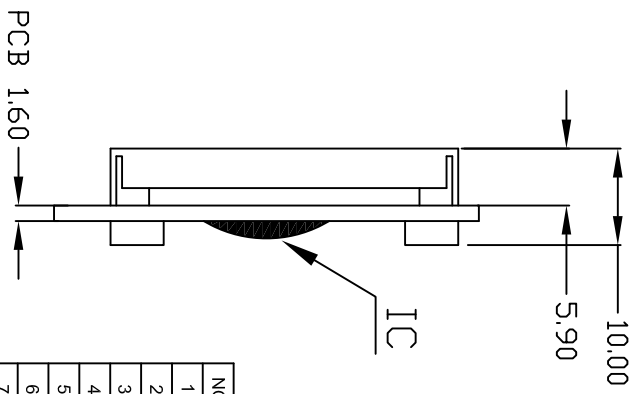
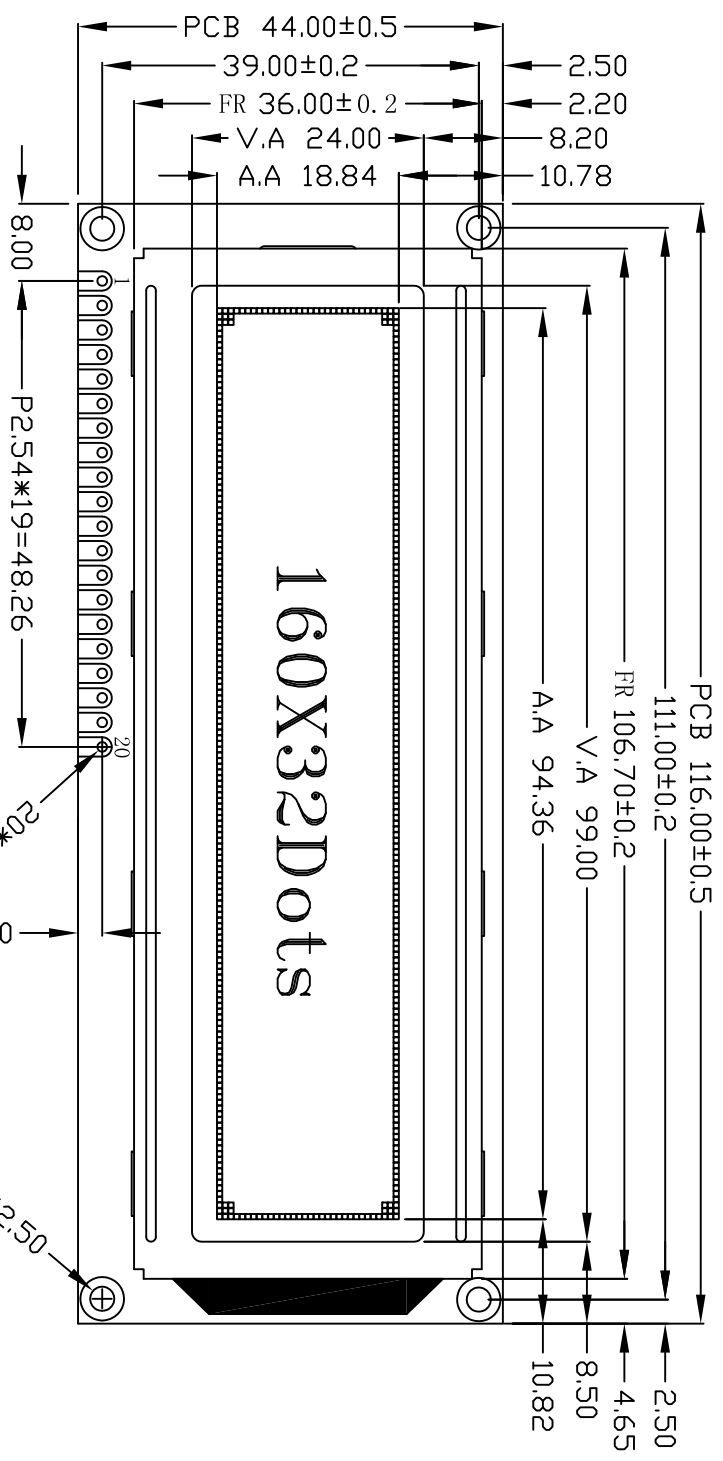


REV:	DESCRIPTION	BY	DATE
V1.0	New Issue	Mike	2013-03-19

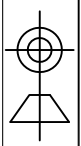


DOT SIZE:

NO	Symbol
1	RS
2	/CS2
3	/CS1
4	/RD
5	R/W
6	VDD(5.0V)
7	VSS
8	DB0
9	DB1
10	DB2
11	DB3
12	DB4
13	DB5
14	DB6
15	DB7
16	/RST
17	V0
18	V/EE
19	LEDA(5.0V)
20	LEDC

NOTES :

- LCD TYPE: STN-Blue, Negative Transmissive
- OPERATING VOLTAGE: VDD=5.0V, Vop=6.5V
- VIEWING DIRECTION: 6 O'CLOCK
- DRIVE METHOD: 1/32 Duty, 1/6 Bias
- OPERATING TEMP: -20°C TO +70°C
- STORAGE TEMP: -30°C TO +80°C
- CONNECTOR TAPE: Zebra
- DRIVER IC: SBN1661 or Equivalent
- BACKLIGHT: White
- ALL sub-parts and materials of the parts, must comply with the RoHS instructions of EU.



**SINDA DISPLAY TECHNOLOGY CO., LTD.**

SHEET: 1 of 1		VERSION: 1.0		UNITS: MM	
APPROVALS	DATE	GENERAL TOL: ± 0.2		DO NOT SCALE THIS DRAWING.	
DWN	Mike	2013-03-19		SCALE: 1:1	
CHK					
APP	CJ	2013-03-19			

MODEL NUMBER :  
**SDGB16032-02**  
www.sindadisplay.com